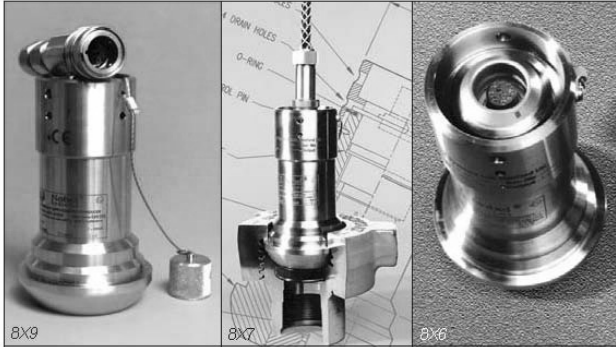


Pressure Transmitters



ATEX

FEATURES

- Ranges to 15,000 psi (0 - 1,000 bar)
- <0.25% accuracy, combined error
- 4 - 20mA 2-wire output
- ATEX I.S. certification
- Ultra-rugged stainless steel construction
- NACE MR-01-75 (sour gas) compliant
- Completely modular serviceable design
- RFI / EMC immunity compliance

OPTIONAL FEATURE

- 22,500 psi secondary-containment

DESCRIPTION

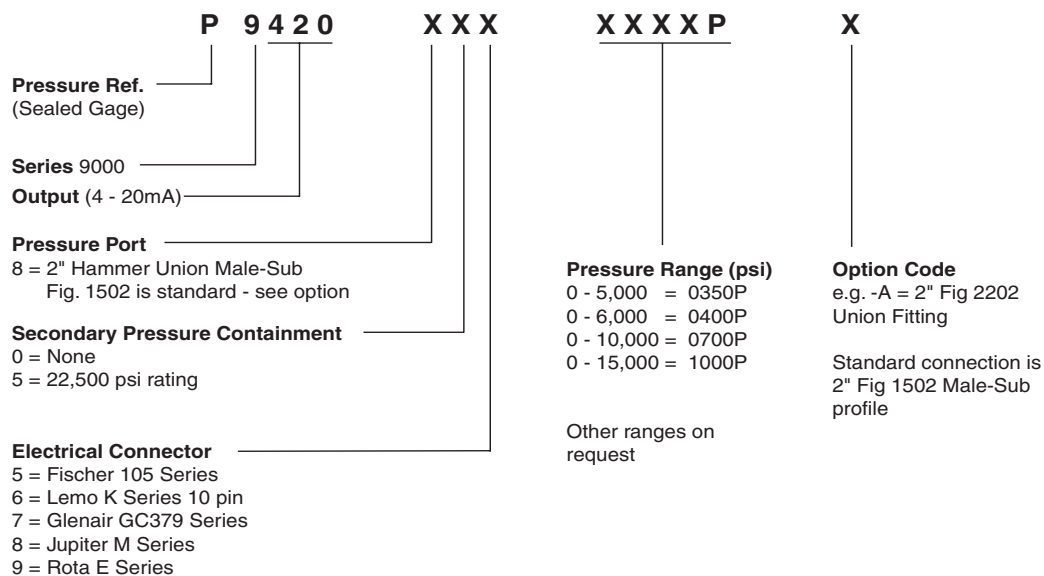
A further development in the range of Hammer-Lug Union fitting Pressure Transmitters, this extension of the P9420 series offers fused ceramic sensors, high shock and vibration immunity, and other benefits. All units are built within a male-sub casing that allows optional secondary pressure containment up to the proof rating of the union assembly.

British built with a 2-year warranty, the P9420-800 transmitters are available with a wide variety of connector options to meet your system requirements.

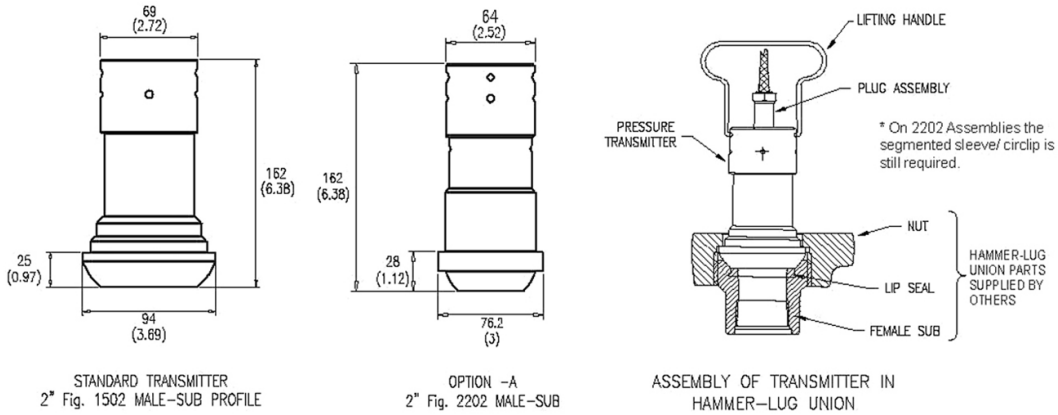
APPLICATIONS

- Mud pressure measurement
- M.W.D. surface sensor
- Kill/Choke manifold pressure
- Mud logging & production test pressure

ORDERING INFORMATION



OUTLINE DIMENSIONS



SPECIFICATIONS

Ranges		0 - 5,000, 0 - 6,000, 0 - 10,000, 0 - 15,000 psi (Others to order)
Performance	Accuracy	<0.25% FSO combined error, non-linearity, hysteresis & repeatability
	Stability	<0.1% FSO per year
	Rise time to full scale	<2ms
	Thermal effects on zero output	±0.008% FSO/°C
	Thermal effects on FSO (span)	±0.008% FSO/°C
	Temperature range	Operational -30°C to +90°C, Storage -40°C to +120°C
Electrical	Output	4 - 20mA, 2 wire
	Full scale output (FSO)	20mA±0.08mA
	Zero pressure output	4mA±0.08mA
	Supply voltage	12 - 28Vdc
	Loop resistance	100Ω - 900Ω
	Insulation resistance	>500MΩ @ 500Vrms
Mechanical	Safe overpressure	150% range
	Secondary containment of pressure within case (85X only)	22,500 psi (all ranges)
	Min burst pressure	300% range (<10,000 psi), 250% range (15,000 psi)
	Effect of Union Make-Up on FSO	Negligible
	Wetted parts material	Al ₂ O ₃ UNS S31803 Duplex St Steel
	Weight (Transmitter only)	4kg (8.8lbs)
Mounting	Replaces Male-Sub component within 2" Fig 1502 and 2202 Hammer Lug unions (See Technote 943 for details of Hammer Lug Union assembly)	
Environmental	Protection	IP68 BS5490: 1977, IEC 529: 1976
	RFI / EMC immunity	Tested to IEC 801-3 Parts 2, 3, 4 & 6 EN 50082-2
	Intrinsic safety certification	EXia IIc T4 Sira 02ATEX2388X
Media Compliance	NACE MR-01-75 Rev03 Sour Gas rated	
Shock / Vibration	IEC 68 Test Ea 100g / 6ms, 3 axes Test Fc 10 - 800Hz, 5g, 3 axes	

Disclaimer

All product specifications and data are subject to change without notice.

Vishay Precision Group, Inc., its affiliates, agents, and employees, and all persons acting on its or their behalf (collectively, "Vishay Precision Group"), disclaim any and all liability for any errors, inaccuracies or incompleteness contained herein or in any other disclosure relating to any product.

Vishay Precision Group disclaims any and all liability arising out of the use or application of any product described herein or of any information provided herein to the maximum extent permitted by law. The product specifications do not expand or otherwise modify Vishay Precision Group's terms and conditions of purchase, including but not limited to the warranty expressed therein, which apply to these products.

No license, express or implied, by estoppel or otherwise, to any intellectual property rights is granted by this document or by any conduct of Vishay Precision Group.

The products shown herein are not designed for use in medical, life-saving, or life-sustaining applications unless otherwise expressly indicated. Customers using or selling Vishay Precision Group products not expressly indicated for use in such applications do so entirely at their own risk and agree to fully indemnify Vishay Precision Group for any damages arising or resulting from such use or sale. Please contact authorized Vishay Precision Group personnel to obtain written terms and conditions regarding products designed for such applications.

Product names and markings noted herein may be trademarks of their respective owners.